



## WARNING MIS EN GARDE

1-866-662-0666

Young children can STRANGLE in cord and bead chain loops. They can also wrap cords around their necks and STRANGLE.

-- Always keep cords and bead chains out of children's reach.

--Move cribs, playpens, and other furniture away from cords and bead chains. Children can climb furniture to get to cords.

--Attach tension device to wall or floor. This can prevent children from pulling cords and bead chains around their necks.

Un jeune enfant peut s'ÉTRANGLER avec la boucle d'un cordon ou d'une chaînette. Il peut aussi enrouler le cordon autour de son cou et s'ÉTRANGLER.

--Gardez toujours les cordons et les chaînettes hors de portée des enfants.

--Éloignez les lits et parcs de bébé, ainsi que toute autre pièce de mobilier, des cordons et des chaînettes. Un enfant peut grimper sur un meuble pour atteindre les cordons.

--Fixez au mur ou sur le plancher un dispositif gardant chaînettes ou le cordon bien tendu. On peut ainsi empêcher l'enfant de saisir le cordon ou la chaînette et de s'enrouler autour du cou.

### Cleaning Instructions

Clean the fabric of the blind with a damp cloth or mild detergent.

Do not operate the roller blind other than by using the chain.

Please note that all roller blinds tend to curl at the edges. This is normal. The extent of the curling will depend on the material used, the amount of heat on the backside of the blind, and the size of the blind.

Many people choose to put side drapes over the blinds to conceal this situation.

For more information on blind cord safety, contact Health Canada toll free at 1-866-662-0666, or visit their website at:

[www.healthcanada.gc.ca/blindcords](http://www.healthcanada.gc.ca/blindcords)

[www.santecanada.gc.ca/cordons-stores](http://www.santecanada.gc.ca/cordons-stores)

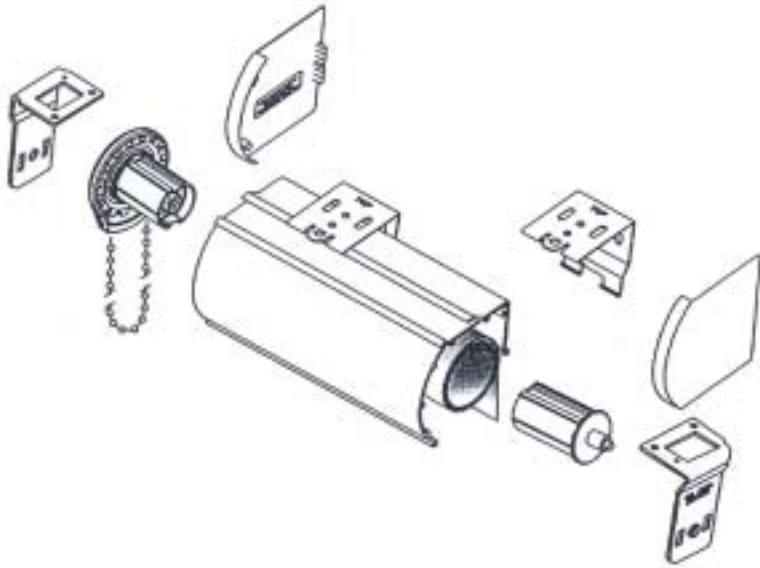


# SKYLINE Roller Blinds with Cassette Installation Instructions

We recommend that all Jackson window coverings be professionally installed by a trained installer.

## Step 1 - Unpack the blind.

Open the boxes and layout all of the parts. The internal mounting brackets should already be inserted into the cassette, but the covers and the external mounting brackets will be separate.



## Step 2: Secure the fabric Insert (Optional)

An optional fabric insert may be provided in the channels at the front of the cassette. The fabric will have transfer tape attached to the back. If you wish to have the fabric insert, make sure that the bottom part of the fabric is in the bottom part of the channel. Peel the bottom of the two transfer tape strips off, and secure the bottom portion. Then peel the top layer of transfer tape, and secure the top portion of the fabric into the top channel.

## Step 3: Mount the Blind inside the Cassette

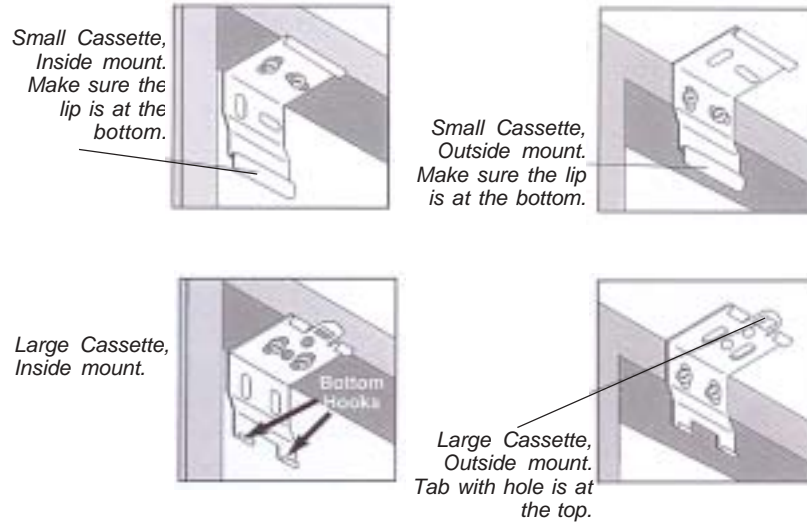
Put the spring loaded pin into the round hole of the bracket. Keeping the pin end secured in its bracket, insert the hook arms on the clutch straight into the two hook arm receiver holes of the bracket. Once the two hook arms are through the holes, gently pull down on the clutch until the two hook arms have locked securely to the bracket. The bottom of the clutch should always point straight down.

## Step 4: Secure the End caps.

The end caps fit snugly over the ends of the cassette. The flat flaps on the back of the end caps fit inside the cassette, as do the tabs on the front of the end caps. The curved front edge of the cap fits outside of the fabric channel groove.

## Step 5: Mounting the External Brackets.

It is critical that the brackets are mounted level, even if the window isn't. Mount an external bracket 2" in from each end of the blind. Make sure that all brackets are mounted securely to a stud or solid frame. Cassettes over 48" will have additional brackets which should be evenly spaced.



## Step 6: Install the Cassette into the Brackets

The process varies depending on the size of cassette ordered.

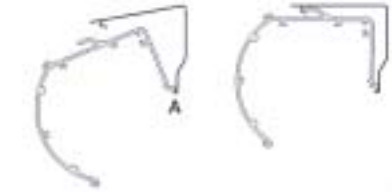
### For Small Cassette System:

Secure the groove shown at point "A" into the front lip of the bracket. Once that is done, rotate the back of the cassette up until it "clicks" into place. This occurs at point "B". Make sure that all brackets are engaged.



### For Large Cassette System:

Secure the groove shown at point "A" into the back hook of the bracket. Once that is done, rotate the front of the cassette up until it "clicks" into place. Make sure that all brackets are engaged.



## Step 7: Adjusting the Length

Extend the blind down until the window is adequately covered. There should still be fabric around the roller. If there is metal showing, the blind is too short. There should be an extra bead chain connector placed on the chain to prevent the blind from being overextended. (This extra connector will hit the clutch). There is a chance that the blind may have unrolled or shifted slightly in shipping. If the blind does not roll down far enough to cover the window, roll it down as far as it will go then remove the blind from the brackets. Roll it the rest of the way by flipping the fabric over the roller by hand to reach the desired length. Be aware however that after adjustment, there should still be fabric completely covering the roller, if not, the blind is too short.

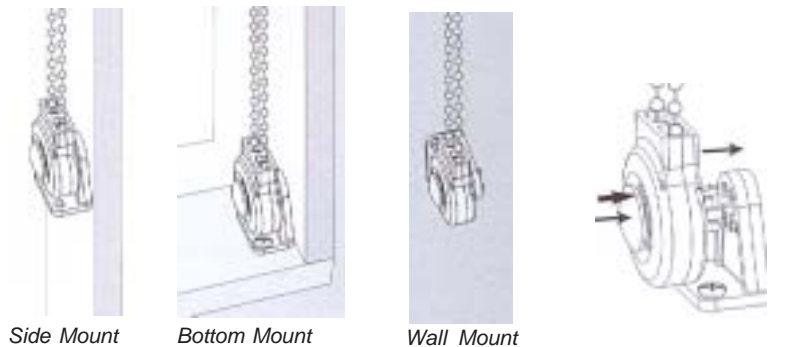
## Step 8: Install Cord Safety Device

This is a two piece device which restricts operation of the blind until it is fully installed. Measure the correct position to mount the bracket by allowing the safety device to hang down. Push the button and pull the chain to lower the blind. The device must be mounted in front of the blind so that the blind does not hit the safety device. Note that the bracket can be installed on the bottom, on the side, or rotated 90° and installed on the wall. Mount the bracket to the wall or window, then push the button and snap the arms of the safety device into the plus sign on the bracket. This will activate the pulley and allow the device to function. It is highly recommended to use drywall plugs if you are not able to anchor to wall studs or window frame.



Safety Device Bracket

The device is designed to have the chain run through loosely. Do not install with high levels of tension as it will diminish the performance of the blind, and void the warranty.



Once the tension device is snapped to the base, it is designed not to be removed.